

F

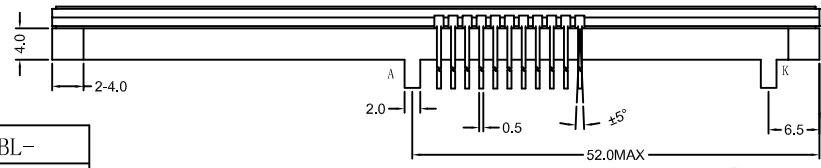
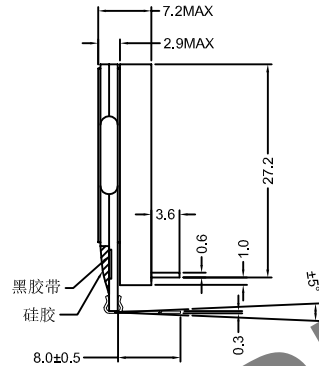
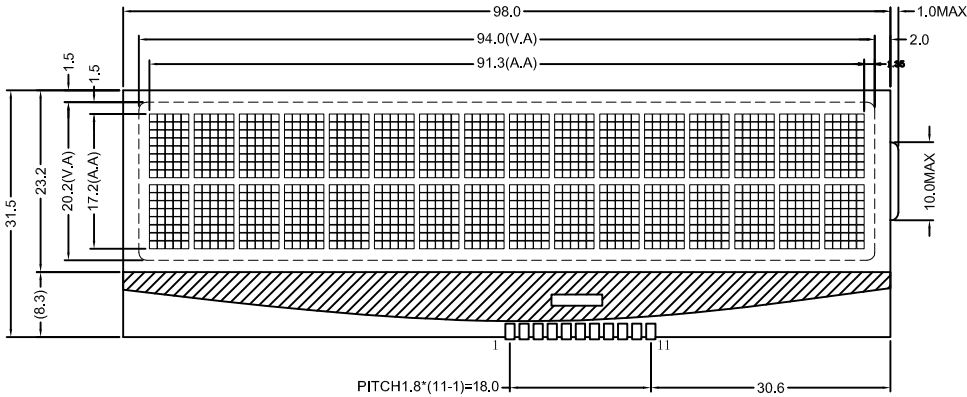
E

D

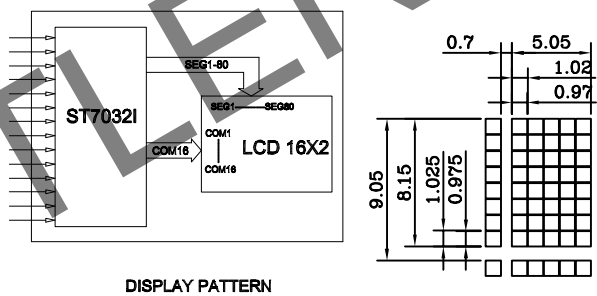
C

B

A



K	BL-
A	BL+
11	RS
10	CSB
9	RW
8	E
7	DB4
6	DB5
5	DB6
4	DB7
3	VSS
2	VDD
1	V0
PIN NO.	SYMBOL



ITEM	SELECTABLE CONTENTS
DISPLAY MODE	STN YELLOW MODE
	STN GRAY MODE
	STN BLUE MODE
	FSTN
POLARIZER TYPE	REFLECTIVE
	TRANSFLECTIVE
VIEWING DIRECTION	TRANSMISSIVE, POSITIVE
	TRANSMISSIVE, NEGATIVE
LED BACKLIGHT	6 O'CLOCK
	12 O'CLOCK
	WHITE
	Y-G
	RED
	GREEN
	BLUE
	AMBER
TEMPERATURE RANGE	--
TEMPERATURE RANGE	STANDARD TEMPERATURE
	WIDE TEMPERATURE
CHARACTER PATTERNS	
OPERATING VOLTAGE	3.3V
LCD DRIVING VOLTAGE	3.3V
LCD DRIVE METHOD	1/16 DUTY 1/5BIAS
LCD DRIVE IC	ST7032I COG

F

E

D

C

B

A

THE PART NUMBER IN MASS PRODUCTION
1.FSTN, TRANSFLECTIVE LCD; WITH BLUE BACKLIGHT; 6 O'CLOCK

UNIT	TOLERANCE
MM	X.X = ±0.2
3RD ANGLE	X.XX = ±0.20
ANG	ANG = -
SCALE:	1:1
DRAWN:	
CHECKED:	
APPROVED:	

ZETTLER DISPLAYS

XIAMEN ZETTLER ELECTRONICS CO., LTD.

TITLE:	LCM
MODEL NO:	AQM1602V SERIES
REV	A
PART NO:	
SH NO	1/1